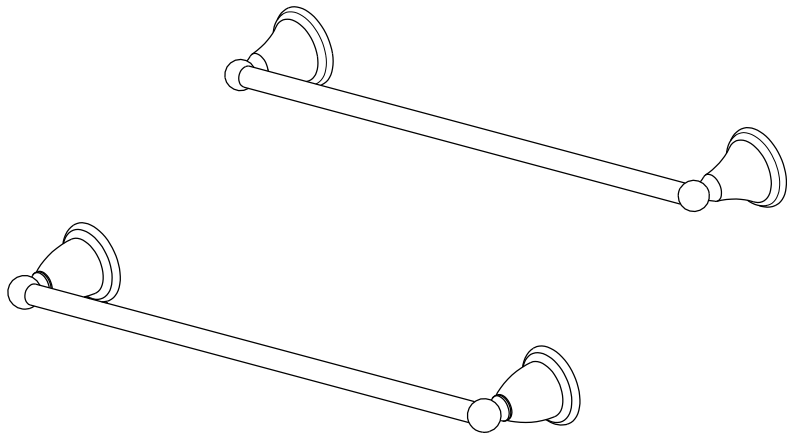
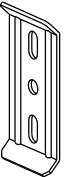
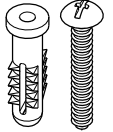



## Towel Bar Installation

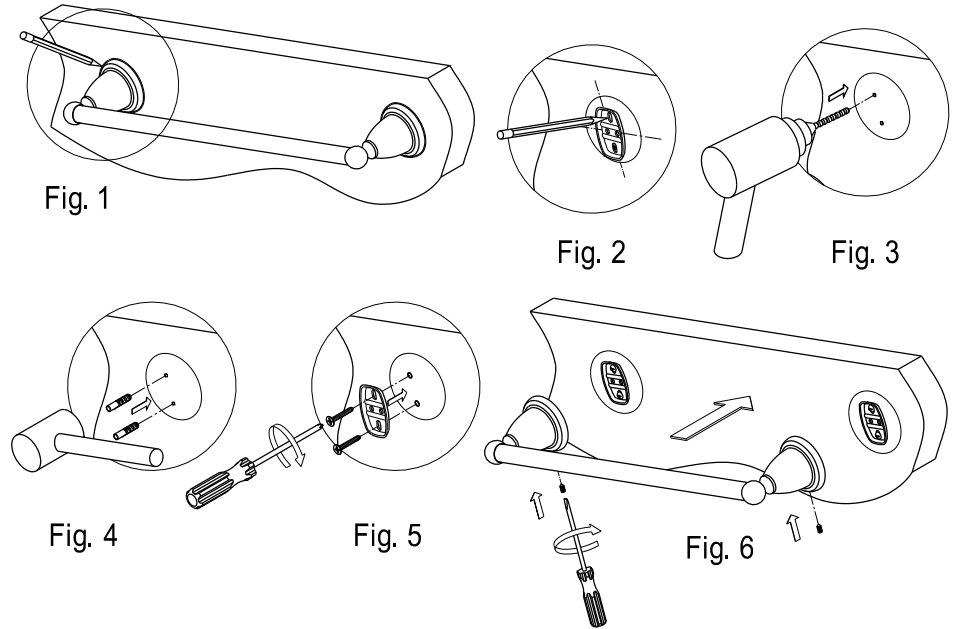


### Parts:

| Mounting Plate  | Mounting Screw & Anchor   | Slotted Set Screw   |
|---|---|---|
|  |  |  |
| 2 Pcs   | 4 Pcs   | 2 Pcs   |

www.kingstonbrass.com  
TOLL-FREE CUSTOMER SERVICE: 1-877-2-KBRASS  
TECHNICAL SUPPORT E-mail: service@kingstonbrass.com  
12775 Reservoir Street, Chino, CA91710

### TOOLS REQUIRED



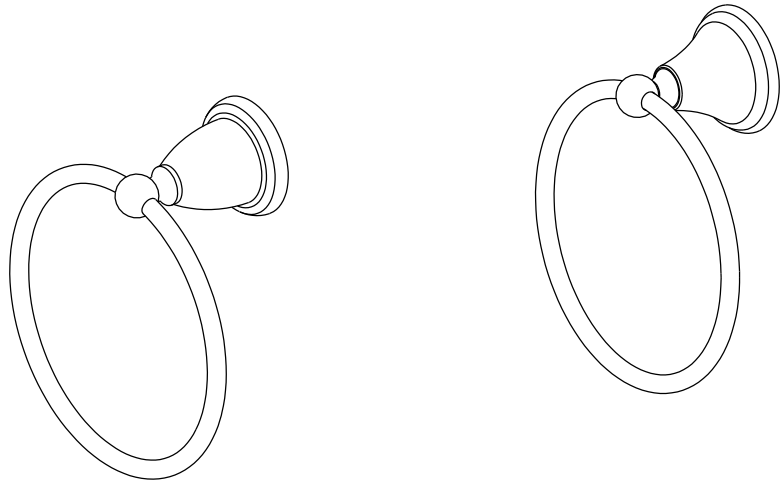
### Installation Steps:

- Step 1. Locate where you would like to install the towel bar.  
Place a base onto the wall and trace around it with a pencil (fig 1).
- Step 2. Unscrew the slotted set screw of the base and remove the mounting plate.
- Step 3. Place the mounting plate in the center of the pencil outline you just made and mark the location of the mounting screws (fig 2). Drill holes at the marked locations (fig 3).
- Step 4. Insert anchors into the holes with a hammer until flush with the wall (fig 4).
- Step 5. Screw the mounting plate (with the lips facing out) to the wall with the mounting screws (fig 5).
- Step 6. Repeat steps 1 through 5 with the other side.
- Step 7. Place the unit, with the small hole in the base underneath, over the mounting plate by tightening the slotted set screws with a flat head screwdriver until the base is tightly fixed (fig 6).

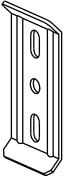
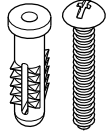

### Cleaning

Clean with a damp cloth only.  
Avoid using metal or abrasive polishes.

## Towel Ring Installation

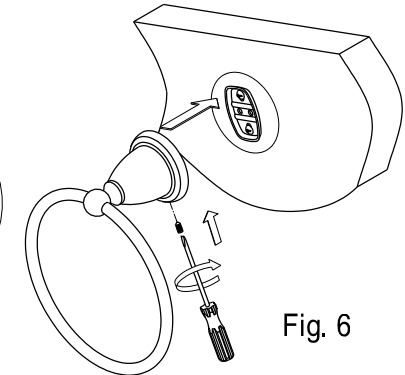
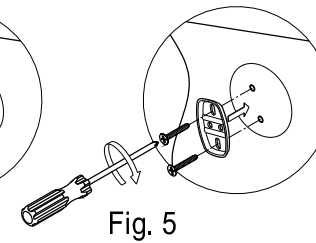
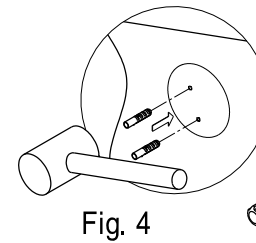
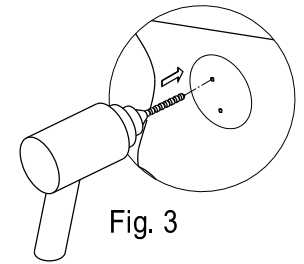
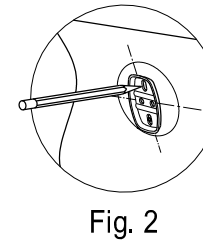
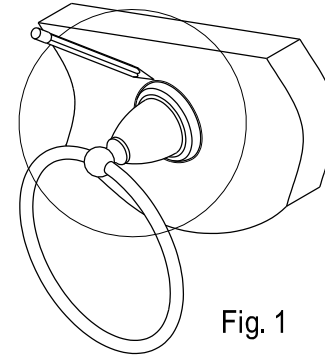
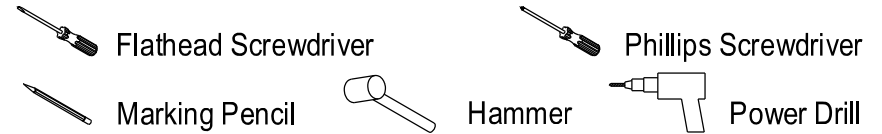


### Parts:

| Mounting Plate  | Mounting Screw & Anchor   | Slotted Set Screw   |
|---|---|---|
|  |  |  |
| 1 Pc  | 2 Pcs   | 1 Pc  |

www.kingstonbrass.com  
 TOLL-FREE CUSTOMER SERVICE: 1-877-2-KBRASS  
 TECHNICAL SUPPORT E-mail: service@kingstonbrass.com  
 12775 Reservoir Street, Chino, CA91710

### TOOLS REQUIRED



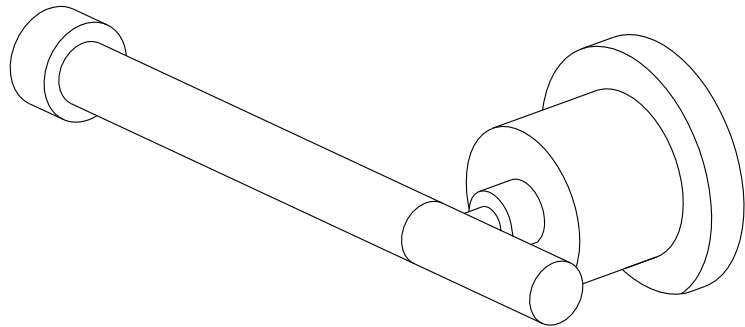
### Installation Steps:

- Step 1. Locate where you would like to install the towel ring.  
Place a base onto the wall and trace around it with a pencil (fig 1).
- Step 2. Unscrew the slotted set screw of the base and remove the mounting plate.
- Step 3. Place the mounting plate in the center of the pencil outline you just made and mark the location of the mounting screws (fig 2). Drill holes at the marked locations (fig 3).
- Step 4. Insert anchors into the holes with a hammer until flush with the wall (figure 4).
- Step 5. Screw the mounting plate (with the lips facing out) to the wall with the mounting screws (fig 5).
- Step 6. Place the unit, with the small hole in the base underneath, over the mounting plate by tightening the slotted set screw with a flat head screwdriver until the base is tightly fixed (fig 6).

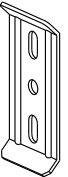
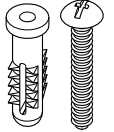

### Cleaning

Clean with a damp cloth only.  
 Avoid using metal or abrasive polishes.

# Toilet Paper Holder Installation



## Parts:

| Mounting Plate  | Mounting Screw & Anchor   | Slotted Set Screw   |
|---|---|---|
|  |  |  |
| 1 Pc  | 2 Pcs   | 1 Pc  |

www.kingstonbrass.com  
TOLL-FREE CUSTOMER SERVICE: 1-877-2-KBRASS  
TECHNICAL SUPPORT E-mail: service@kingstonbrass.com  
12775 Reservoir Street, Chino, CA91710

## TOOLS REQUIRED

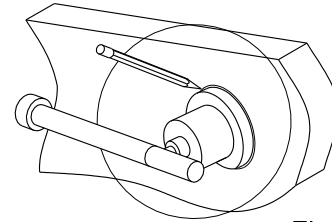
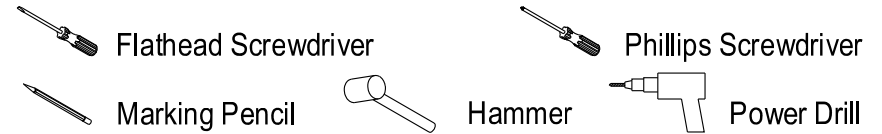


Fig. 1

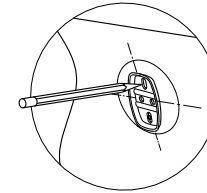


Fig. 2

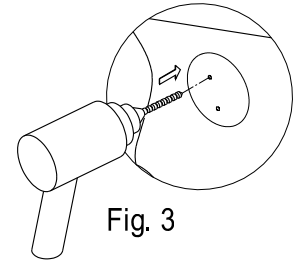


Fig. 3

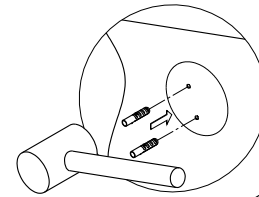


Fig. 4

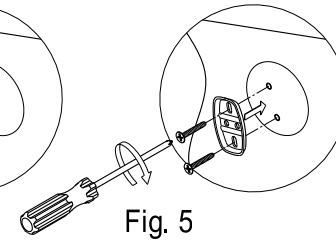


Fig. 5

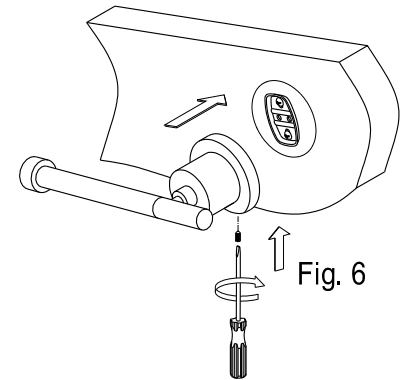


Fig. 6

## Installation Steps:

- Step 1. Locate where you would like to install the toilet paper holder. Place a base onto the wall and trace around it with a pencil (fig 1).
- Step 2. Unscrew the slotted set screw of the base and remove the mounting plate.
- Step 3. Place the mounting plate in the center of the pencil outline you just made and mark the location of the mounting screws (fig 2). Drill holes at the marked locations (fig 3).
- Step 4. Insert anchors into the holes with a hammer until flush with the wall (fig 4).
- Step 5. Screw the mounting plate (with the lips facing out) to the wall with the mounting screws (fig 5).
- Step 6. Place the unit, with the small hole in the base underneath, over the mounting plate by tightening the slotted set screws with a flat head screwdriver until the base is tightly fixed (fig 6).

## Cleaning

Clean with a damp cloth only.  
Avoid using metal or abrasive polishes.